

# Vertical Roller Mill Hydraulic System

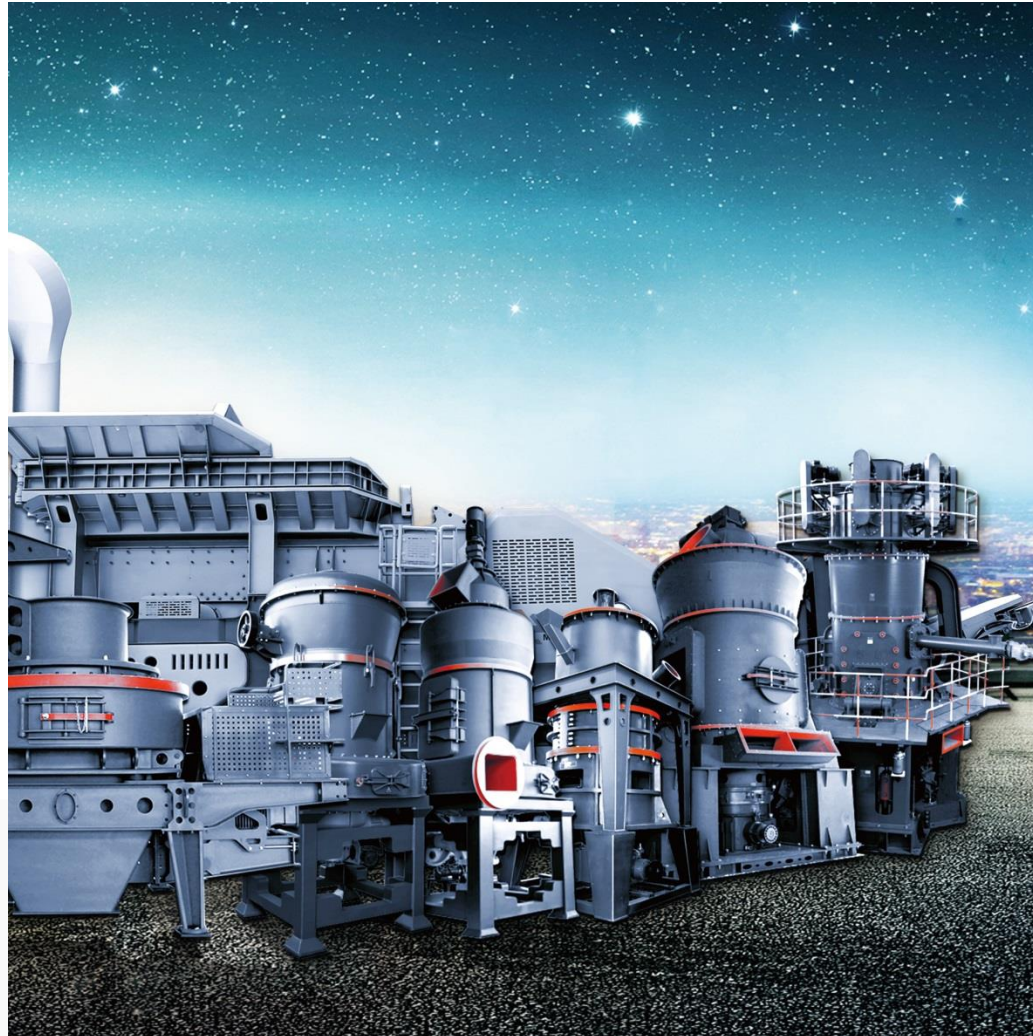


<https://www.gravelmill.com/knowledge/vertical-roller-mill-hydraulic-system.html>

# Type Of Vertical Roller Mill

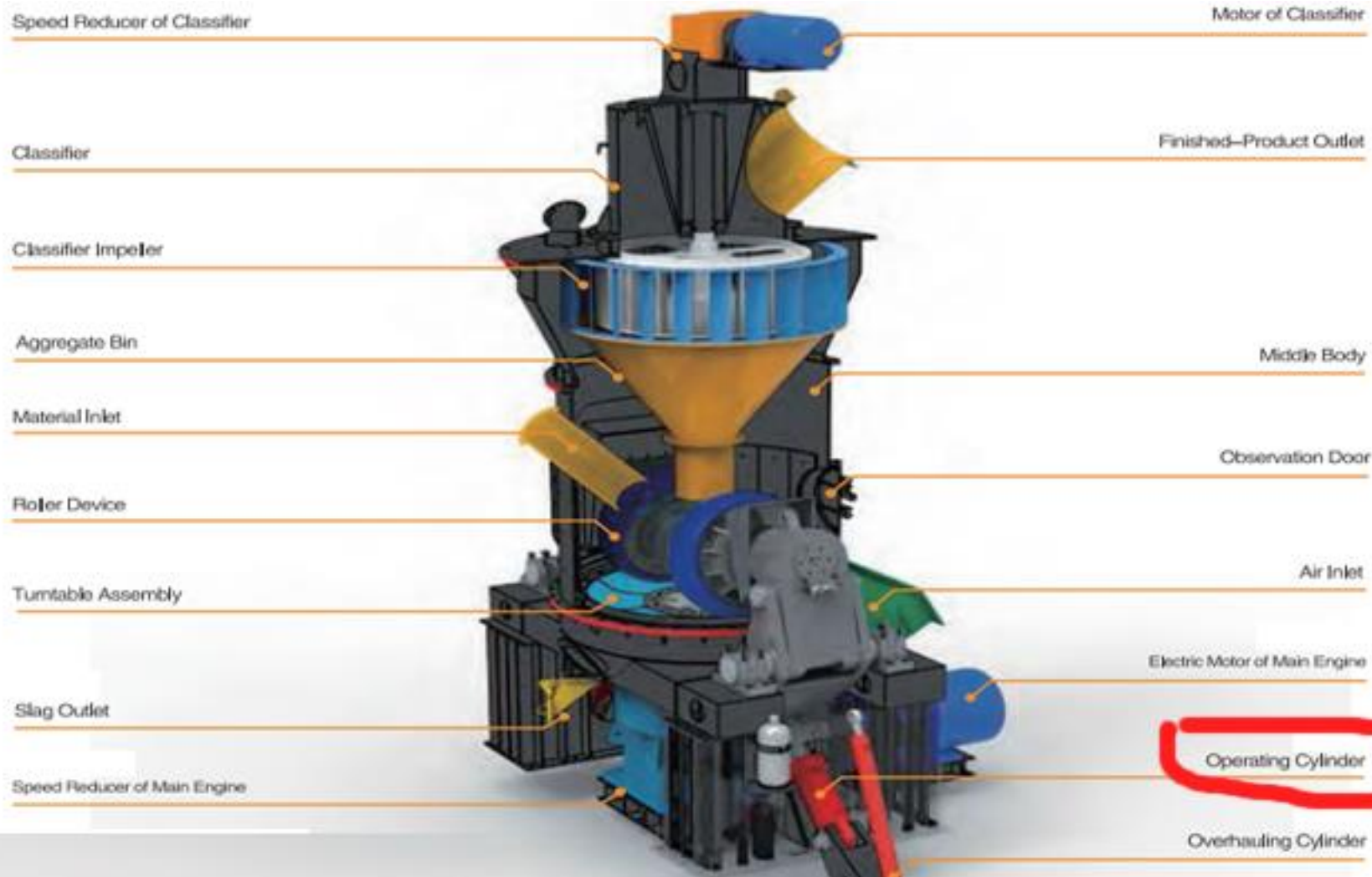


 LM Series  
Vertical  
Grinding Mill



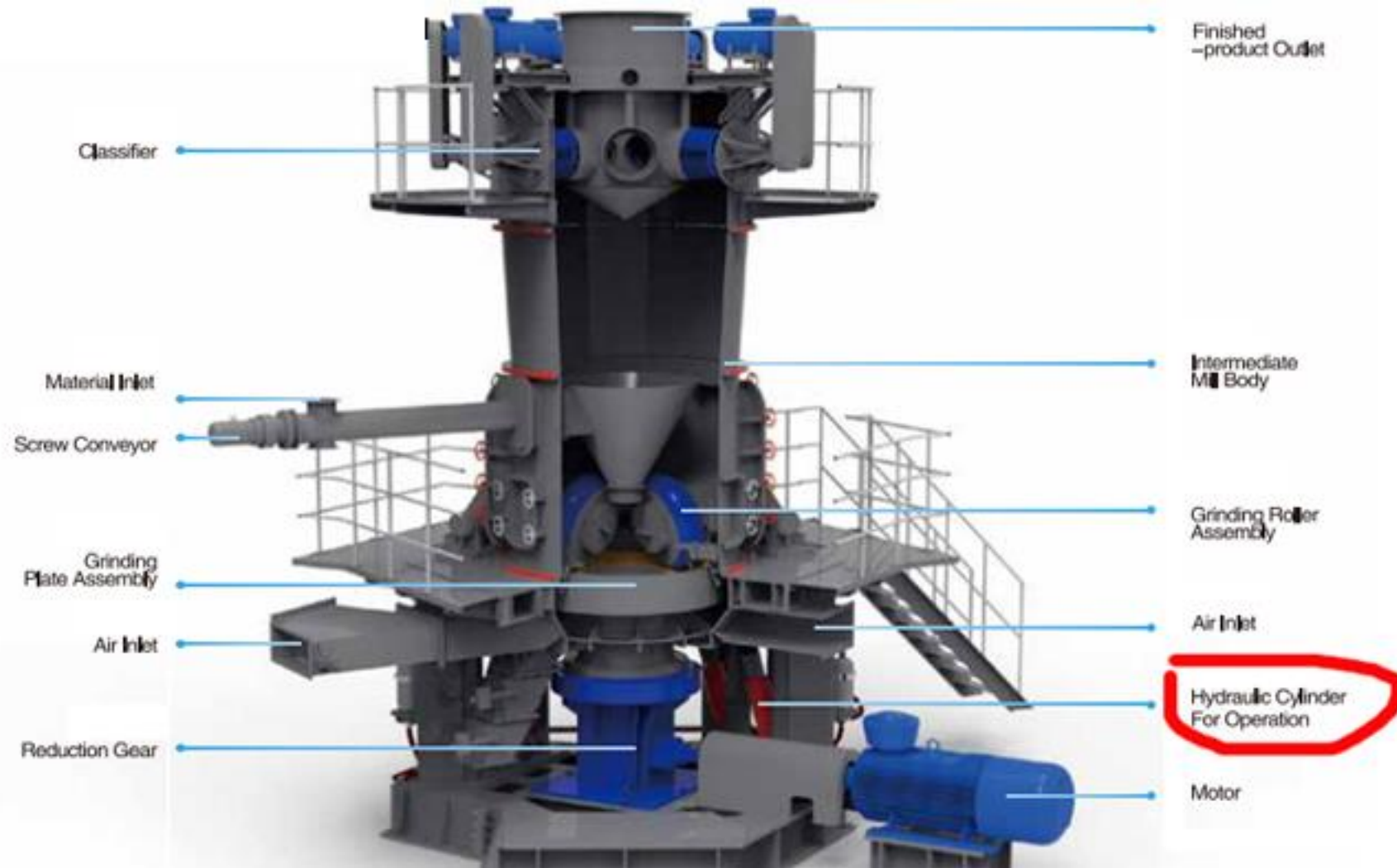


# LM Series Vertical Grinding Mill Hydraulic System



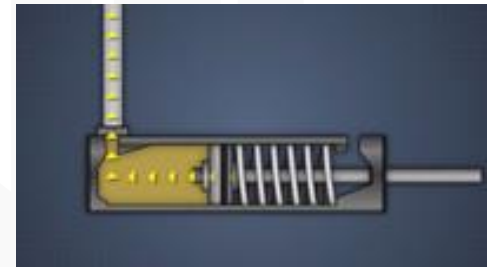
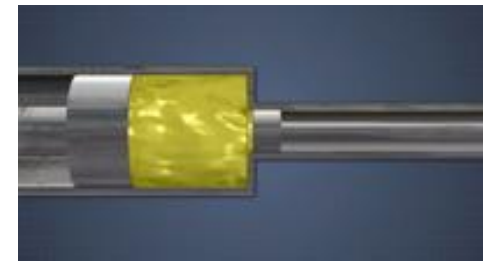
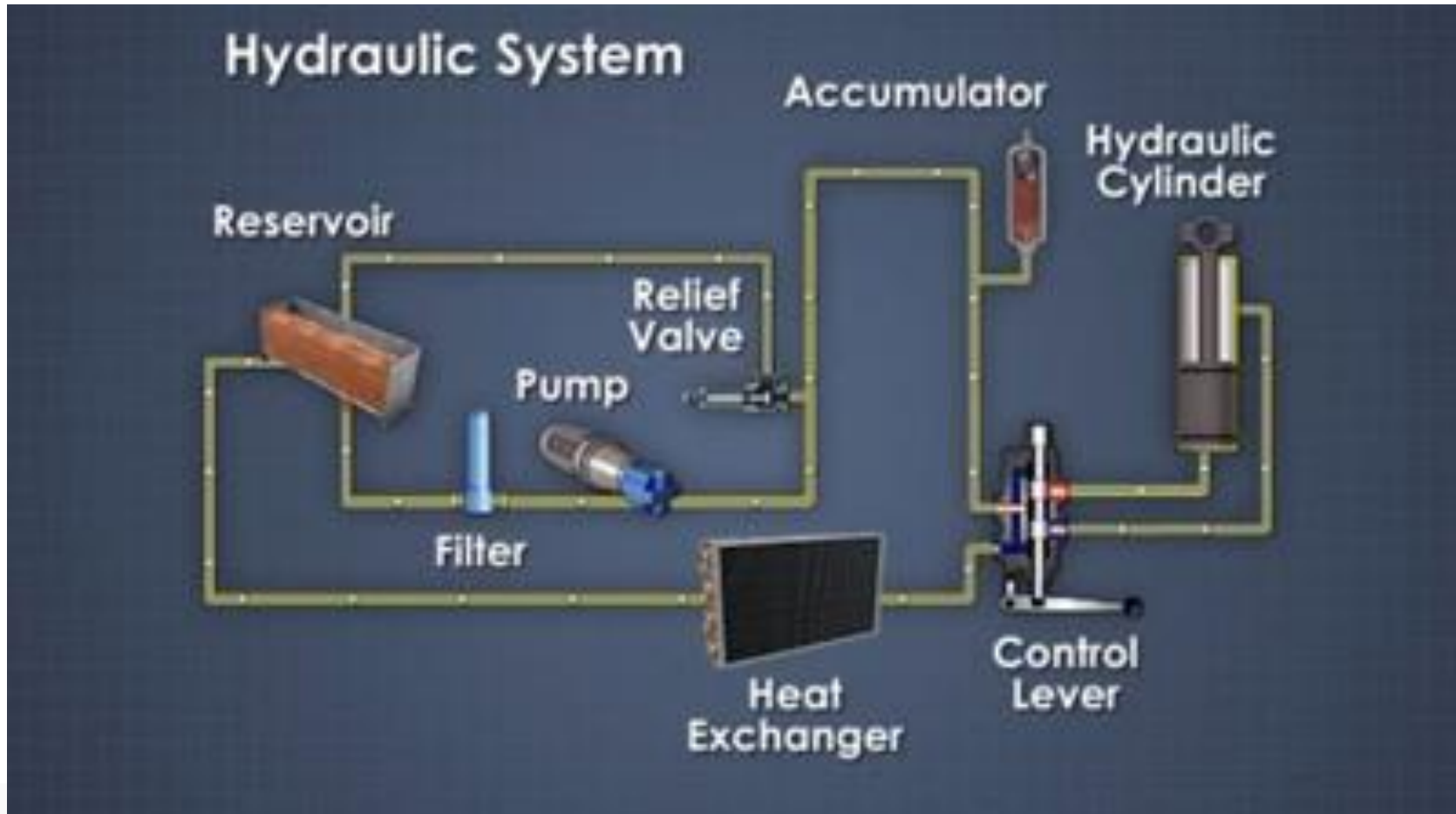


# LUM Ultrafine Vertical Roller Mill Hydraulic System





# Hydraulic System





# How Hydraulics Typically Work



**Engine**

In vertical roller mill, this needs to be capable of generating a lot of power.



**Pump**

The hydraulic oil pump sends a flow of oil through the valve and to the hydraulic cylinder.



**Cylinder**

The cylinder receives the high-pressure fluid from the valves and actuates the movement.



**Value**

Valves help to transport the fluid around the system by controlling things like pressure, direction and flow.



No. 1688, Gaoke East Road, Pudong new district, Shanghai, China.

+86-21-58386189, +86-21-58386176



<https://www.gravelmill.com/knowledge/vertical-roller-mill-hydraulic-system.html>